

Datasheet

24/48V Smart PoE Converter

WI-POE90X | WI-POE60-24V



Overview

The Wi-Tek 24/48V Smart PoE Converter Series is tailor-made for wireless CCTV networks, offering seamless network conversion to enhance PoE compatibility and cost-effectiveness. With its plug-and-play feature, it provides a hassle-free and convenient solution for all your networking needs.

Features

Optimal Performance

Experience the ultimate plug-and-play solution. Enjoy unmatched flexibility, compatibility, and cost-effectiveness. Elevate your network efficiency with optimal performance.

Full Gigabit

Elevate your network performance to new heights. Harness the power of blazing-fast data transmission and exceptional reliability. Upgrade to gigabit speed support for unmatched network efficiency and performance.

Compact size

Compact design for space efficiency and convenience.

Specifications



Model	WI-POE90X	WI-POE60-24V
Hardware Specifications		
Hardware Version	V1	V1
Interfaces		
Interfaces	2 100/1000Mbps RJ45 Ports	
PoE		
PoE Port	1 port 1000M PoE IN(24V 45+ 78-) 1 port 1000M PoE OUT(802.3AF/AT)	1 port 1000M PoE IN(802.3AF/AT) 1 port 1000M PoE OUT(24V 45+ 78-)
PoE Standard	802.3 af/at compliant PoE	
PoE Power Supply Type	End-span	/
PoE Pin Assignment	1/2(+), 3/6(-)	4/5(+), 7/8(-)
PoE Power	24W Max	
Power Supply		
Input Power	DC IN 12-57V or PoE IN (24V 45+ 78-)	DC IN 48-55V or PoE IN (802.3AF/AT)
Power Consumption	Idle: 2 W	Idle: 2 W
Physical Characteristics		
LED Indicators	<p>WI-POE90X</p> <p>PWR Blinking: Abnormal power reception On: The device is powered on Off: The device does not power</p> <p>PSE Blinking: 24V PoE Out abnormal On: 24V PoE Out is normal Off: No 24V PoE Out</p> <p>WI-POE60-24V</p> <p>Speed Blinking: Abnormal power reception, or abnormal 24V output On: 48V PoE In/24V PoE Out Normal Off: No power, no 24V output</p> <p>Link Off: No device is connected to the corresponding port On: Indicates the link through that port is successfully established Blink: Data transfer</p>	

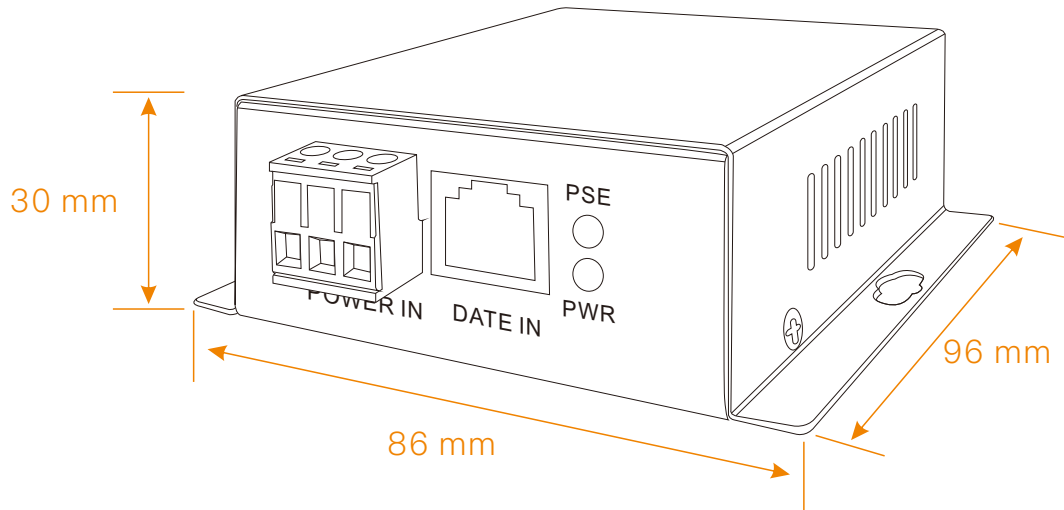


Model		WI-POE90X	WI-POE60-24V
Physical Characteristics			
Fan Quantity	Fanless		
Dimensions (W*D*H)	96x86x30 mm		111x40x25 mm
Weight	Net Weight: 0.15 kg		Net Weight: 0.065 kg
	Package Weight: 0.19 kg		Package Weight: 0.070 kg
Installation	Wall-Mounted、Desktop		
Environmental			
Reliability	Surge Immunity	IEC 61000-4-5 Common mode 6kV Differential mode 2kV	
	ESD Protection	IEC 61000-4-2 Contact discharge 6kV Air discharge 8kV	
Operating Temperature	-10°C to 70°C		10°C to 55°C
Operating Humidity	10%~90% RH no condensation		
Storage Temperature	-40°C to 70°C		
Storage Humidity	5%~90% RH no condensation		
Others			
Certification	CE, FCC, RoHS, UKCA, RCM		
Network Media	10BASE-T: UTP category 3, 4, 5 cable (Max 100m)EIA/TIA-568 100Ω STP (Max 100m) 100BASE-TX: UTP category 5, 5e cable (Max 100m)EIA/TIA-568 100Ω STP (Max 100m) 1000BASE-T: UTP category 5, 5e, 6 cable (Max 100m)		

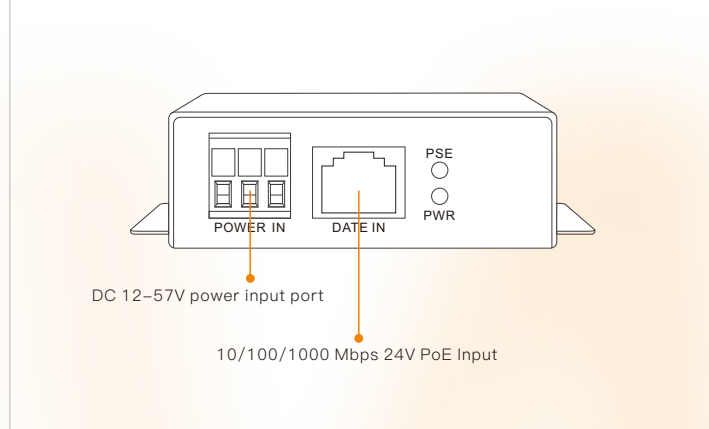
Appearances and Dimensions

WI-PoE90X

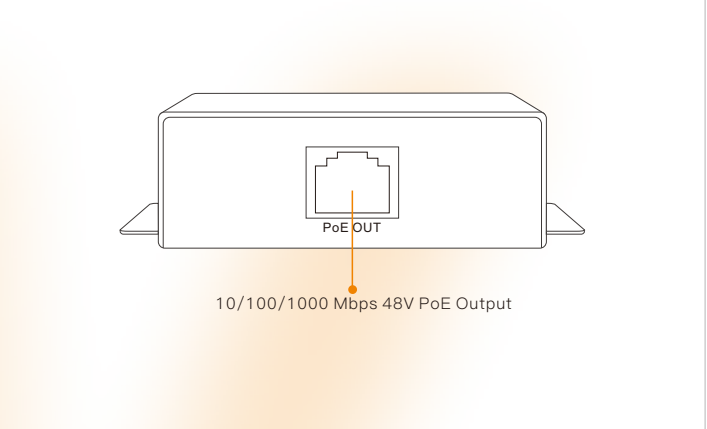
Dimensions (mm)



Front Panel

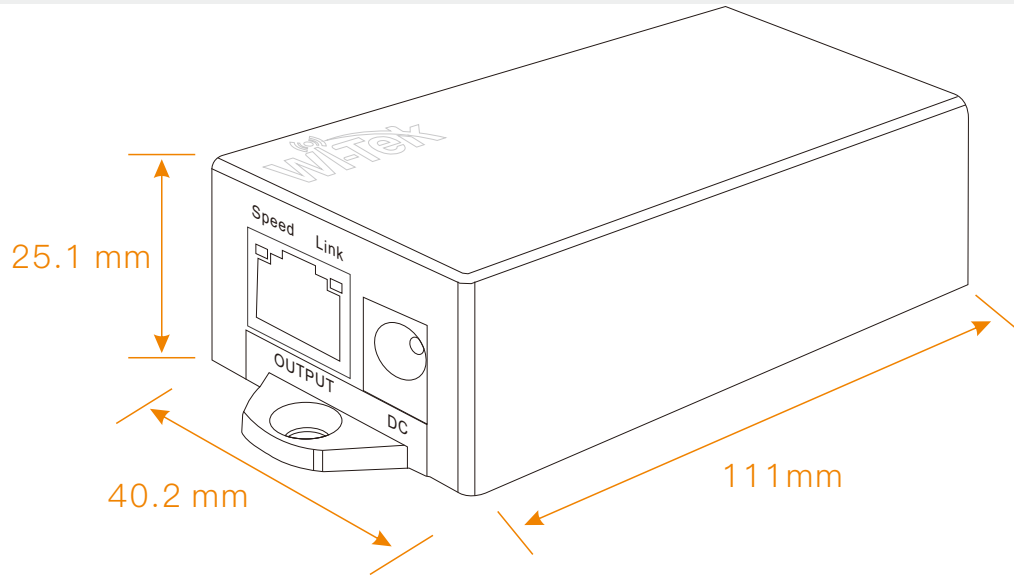


Back Panel

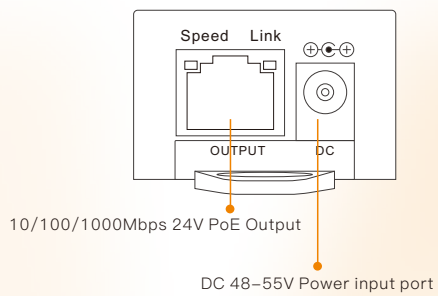


WI-POE60-24V

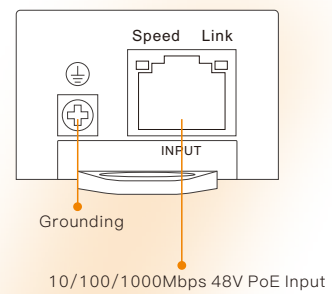
Dimensions (mm)



Front Panel



Back Panel



Package Contents

Welcome to order our products. After purchasing, you will receive:

Items	Quantity
PoE Converter	1 pcs



Wireless-Tek Technology Limited
 Address: Building 3, Units 1801-1807, 1812,
 Huaqiang Era Plaza, Tangwei Community,
 Fuhai Street, Bao'an District, Shenzhen City,
 Guangdong Province, China.
 Website: www.wireless-tek.com
 Tel: 86-0755-32811290
 Email: sales@wireless-tek.com
 Technical Support: tech@wireless-tek.com



Technical Support



Cloud Management



Company Website